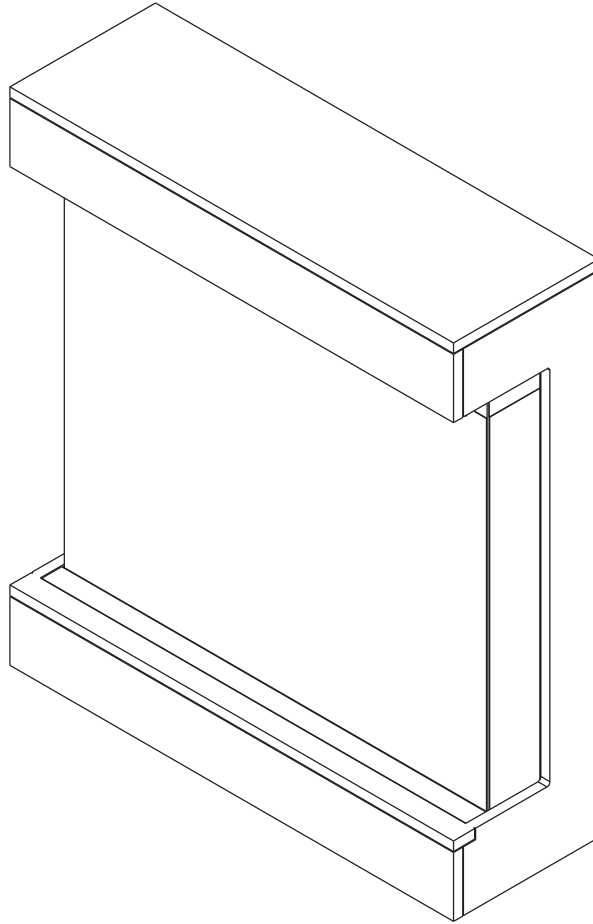


Product Installation & Assembly Instructions

Electric fireplace Quickborn



AC 220-240V 50Hz 1400-1600W



WARNING

Read and understand the entire manual, including all safety instructions, before plugging in or using this product. Failure to do so may result in fire, electric shock, or serious injury or even death.



ATTENTION

Keep this manual for future reference. If you sell or give away this product, make sure that this manual accompanies the product.



www.tuv.com



IMPORTANT SAFETY INSTRUCTIONS!

WARNING

When using electrical appliances, basic precautions should always be followed to reduce the risk of fire, electric shock and injury, including the following:

- Read all instructions before using this heater.
- This heater is hot when in use. To avoid burns, do not touch hot surfaces. If available, use handles when moving this heater.
- Keep flammable materials such as furniture, pillows, bedding, newspapers, clothing and curtains at least 1m from the front of the heater and keep them away from the sides and rear. To avoid overheating, please do not cover the heater.
- Extreme caution should be exercised when using a heater near children or the sick and when the heater is left on and unattended.
- Always unplug the power cord when not in use.
- Do not operate a heater with a damaged cord or plug. If it is not working properly, has been dropped, or damaged in any way, return the heater to an authorized service facility for inspection, electrical or mechanical adjustment, or repair.
- Use only indoors, do not use outdoors.
- This heater is not intended for use in bathrooms, laundry rooms, or similar indoor locations. Never place a heater where it can fall into a bathtub or other body of water.
- Do not run cables under carpets. Do not cover the cord with rugs, mats, or similar covers. Do not lay the cable in passageways and in such a way that nobody can trip over it.
- To turn off the heater, turn the controls to off, then unplug the power cord from the outlet.
- Keep foreign objects out of the ventilation or exhaust openings, as this may cause electric shock or fire or damage the heater.
- To prevent possible fire, do not block the air inlets or outlets. Do not use on soft surfaces such as a bed where many openings can be blocked.
- Sparking may occur inside the heater. Do not use in areas where gasoline or flammable liquids are used or stored.
- Use this heater only as described in this manual. Any other use not recommended by the manufacturer may cause fire, electric shock or injury.
- CAUTION-HIGH temperatures can be generated under certain abnormal conditions.

- Do not partially or completely cover or block the front of this heater.
- Lamps should only be replaced when the heater is disconnected from the power supply.
- This device may not be used by persons (including children) with limited physical, sensory or mental abilities or lack of experience and knowledge, unless they are supervised or instructed in the use of the device by a person responsible for their safety. Children should be supervised to ensure they do not play with the device.
- The heater must not be used if the glass is damaged.
- If you dispose of the heater, follow the regulations for oil disposal.
- ATTENTION: In order to avoid a hazard due to accidental resetting of the thermal fuse, this device must not be controlled by an external switching device, e.g. B. a timer, supplied with power or connected to a circuit that is regularly switched on and off by the mains.

preparation

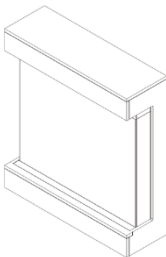

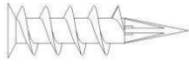

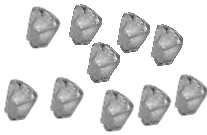
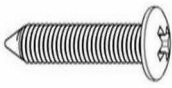
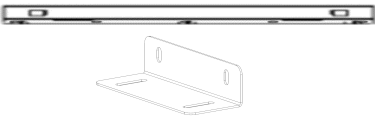



This product contains a GLASS plate! Always handle glass with extreme care. Otherwise injuries or damage to property may occur.

Remove all parts and products from the box and place them on a clean, soft, and dry surface. Parts and assembly steps are divided for wall or recessed mounting. Check the parts list to make sure nothing is missing. Dispose of packaging materials properly. Please recycle if possible.

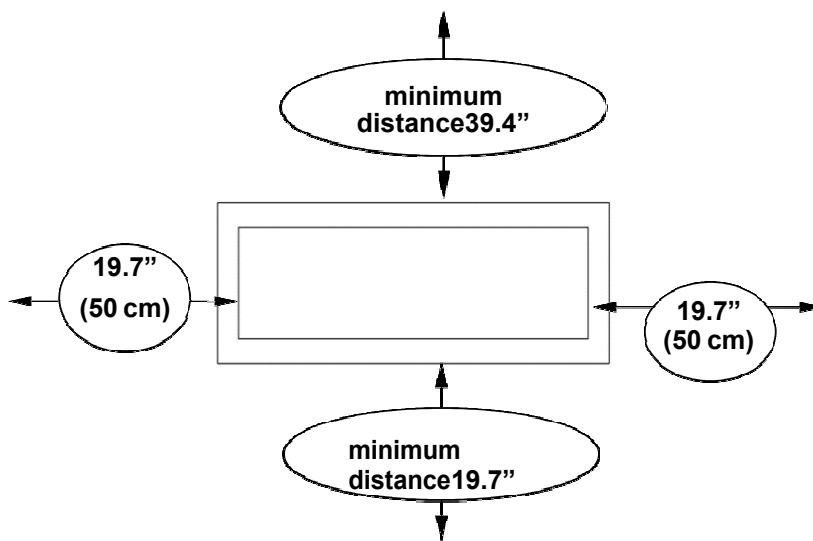
You will need the following tools (not included): Phillips screwdriver, stud finder, spirit level, tape measure, electric drill, 1/4" wood drill bit, hammer

parts and materials

 <p>A FIREPLACE</p>	 <p>B - wood screws</p>	 <p>C - plasterboard anchors</p>
	 <p>RC - remote control</p>	 <p>D - crystals/pebbles</p>
 <p>ST4*12</p>	 <p>E - wall mount</p>	 <p>F - logs</p>

Installation and Assembly

Rear view of the fireplace



Step 1. Find a safe place.

Minimum side clearance: 19.7" (50 cm).
Minimum clearance below: 19.7" (50 cm). **Minimum Top Clearance: 39.4" (100 cm).** **Minimum front and side clearances: Choose a location near a DO NOT place the device directly under an electrical outlet.**

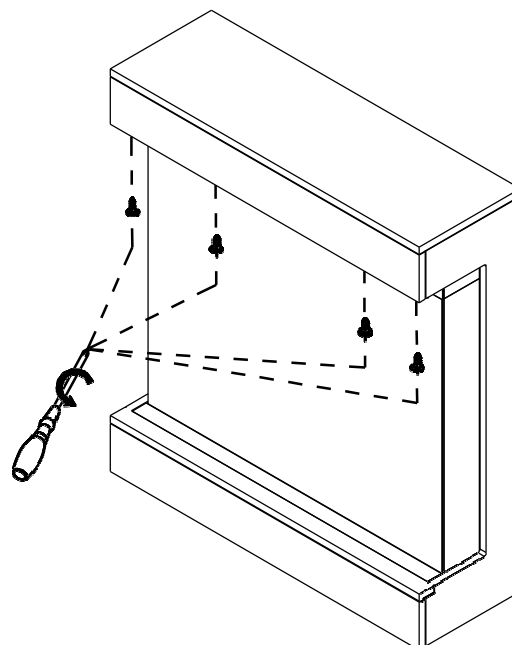
See Safety Information on pages 2 and 3 for warnings about safe attachment, safe installation and proper use of the product.



Before assembling, cleaning or moving this fireplace ALWAYS be unplugged. Failure to comply could result in electric shock, fire, or injury.

Installation of the glass pane

Illustration (A)



STEP 1. Remove the screw on the front glass by turning it counterclockwise with a screwdriver. Figure (A)

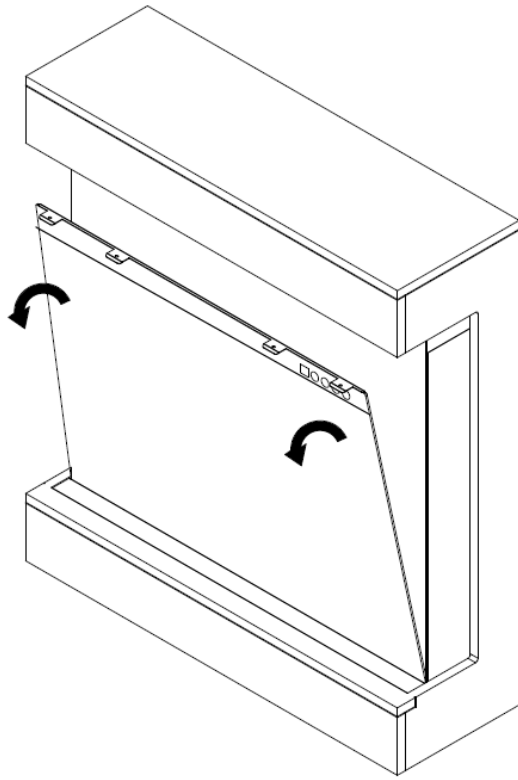


Illustration (B)

STEP 2. Take out the glass. Figure (B)

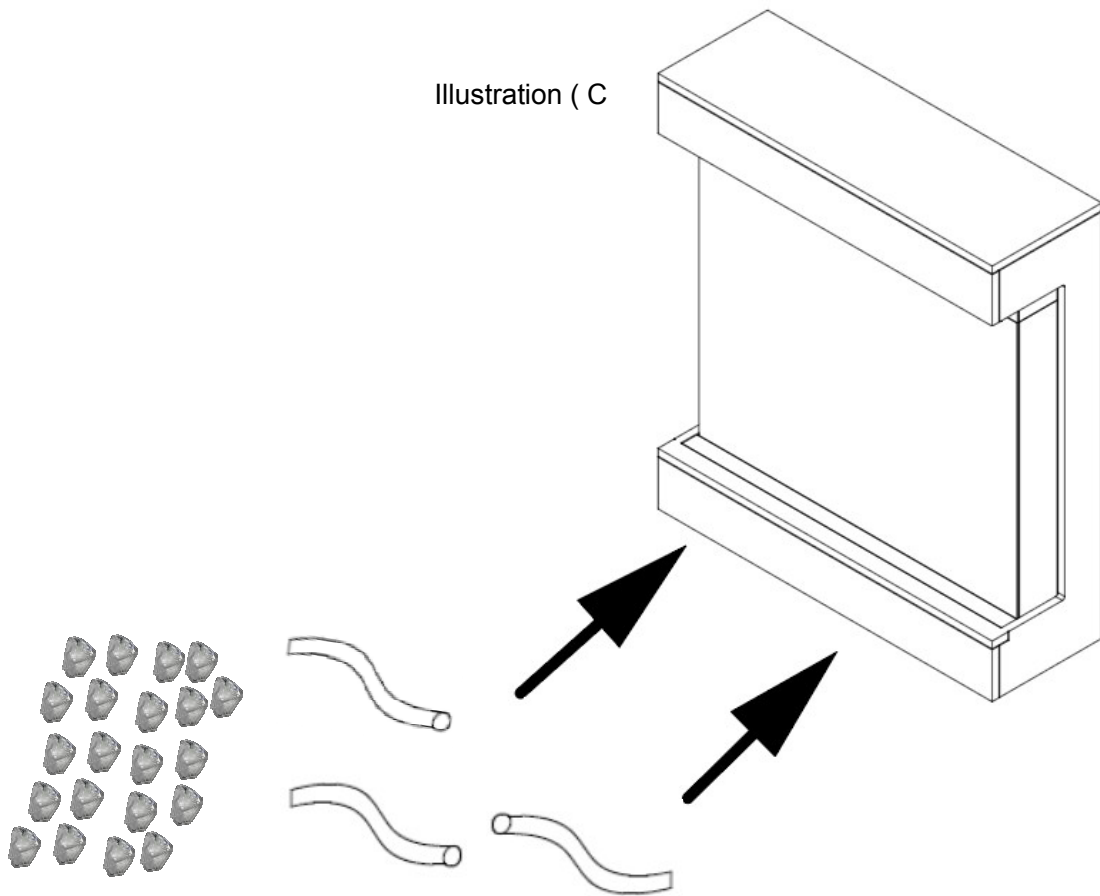
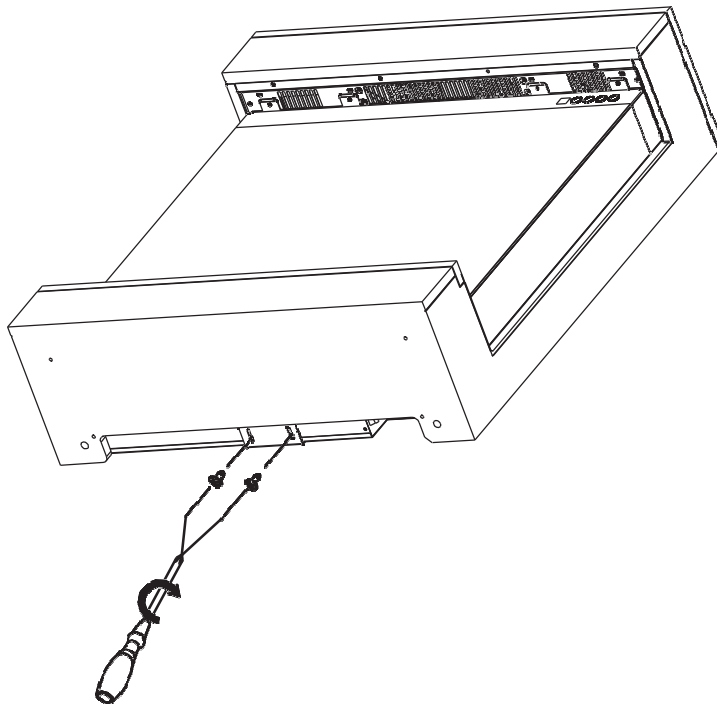
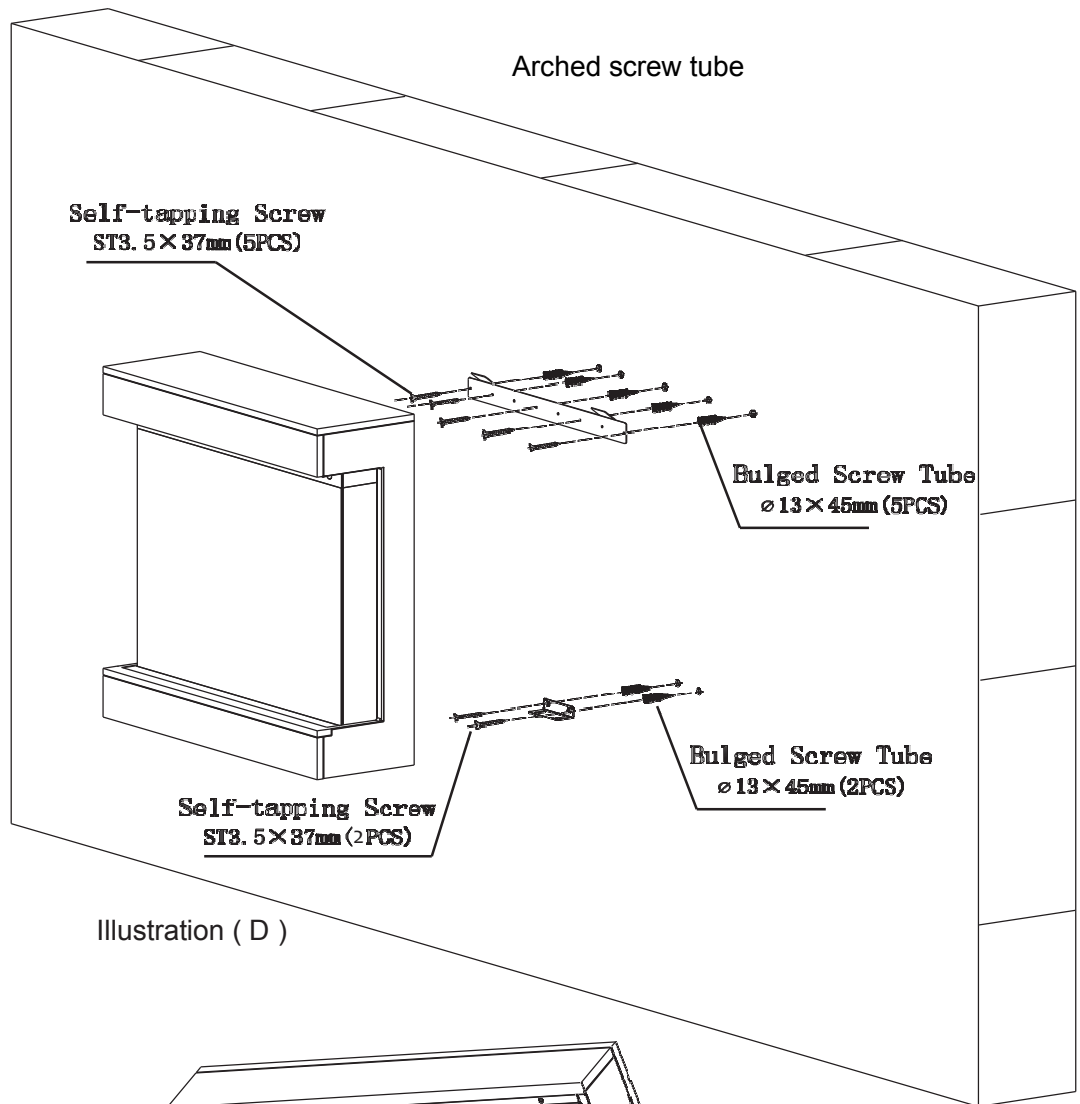


Illustration (C)



STEP 4.

4. Insert the drywall anchors into the wall.
5. Attach the mounting bracket to the drywall anchors with screws
6. After installing the mounting bracket, have two people lift the unit and insert the two hooks on the mounting bracket into the two slots on the back of the unit. Figure (D)

Bedienung



Read and understand the entire manual, including all safety instructions, before plugging in or using this product. Failure to do so may result in fire, electric shock, or serious injury or even death.

power supply

Plug the power cord into a 220~240 volt 10 amp grounded outlet (see IMPORTANT SAFETY INSTRUCTIONS on pages 2 and 3). Make sure the outlet is in good condition and the plug is not loose. NEVER exceed the maximum current rating for the circuit. DO NOT connect other devices to the same circuit.

functionality

This electric fireplace can be operated using the TOUCH PANEL on the right side of the fireplace (see image below) or the battery-powered REMOTE CONTROL.






The operation and functionality of the two methods are the same.

Before operating, read IMPORTANT SAFETY INFORMATION on pages 2 and 3 and heed all warnings.



Operation with remote control and touch panel


BUTTON	FUNCTION	ACTION & DISPLAY
 POWER SUPPLY	ON: Activates the control panel functions and the remote control. Turns on the flame effect. OFF: Disables the control panel functions and the remote control. Turns off the flame effect.	Press once. Indicator light turns on. The power is turned on. All functions activated. Press again. Flame effect turns off. The device goes into standby mode. All functions turn off.
 TIMER	TIMER button: Controls the timer settings to turn off the fireplace at the selected time. The settings range from 0.5 hours to 8 hours.	Press once. Indicator light turns on. The timer is set to 0.5 hours. Press again until the desired setting is reached. Indicator lights show the setting.

 FARBE	<p>COLOR button: Flame color effect change. NOTE: Color effect stays on until the Power button is turned off. The flame color effect must be on for the fireplace to turn on.</p>	<p>Press once. Flame color effect changes. Press again until the desired setting is reached. A total of 6 colors.</p>																																					
 HEIZUNG	<p>HEAT button: Turns the heater on and off. NOTE: The heater only works when the flame effect is activated. If the flame effect is off, the heater will not turn on. NOTE: To prevent overheating, the heater blows cold air for 10 seconds.</p>																																						
 TEMP	<p>Press once: Touch panel indicator light is activated. Press again until the desired setting is reached. Digital display shows adjustment cycles, see below</p> <table border="1" data-bbox="272 658 858 763"> <thead> <tr> <th>Display Value</th> <th>0</th> <th>1</th> <th>2</th> <th>3</th> <th>4</th> <th>5</th> <th>6</th> <th>7</th> <th>8</th> <th>9</th> <th>N</th> </tr> </thead> <tbody> <tr> <td rowspan="2">Temperature</td> <td>°C</td> <td>18</td> <td>19</td> <td>20</td> <td>21</td> <td>22</td> <td>23</td> <td>24</td> <td>25</td> <td>26</td> <td>27</td> <td>ON</td> </tr> <tr> <td>°F</td> <td>64</td> <td>66</td> <td>68</td> <td>70</td> <td>72</td> <td>74</td> <td>76</td> <td>78</td> <td>80</td> <td>82</td> <td>ON</td> </tr> </tbody> </table> <p>NOTE: Press the button for 5 seconds to toggle between °C and °F.</p>		Display Value	0	1	2	3	4	5	6	7	8	9	N	Temperature	°C	18	19	20	21	22	23	24	25	26	27	ON	°F	64	66	68	70	72	74	76	78	80	82	ON
Display Value	0	1	2	3	4	5	6	7	8	9	N																												
Temperature	°C	18	19	20	21	22	23	24	25	26	27	ON																											
	°F	64	66	68	70	72	74	76	78	80	82	ON																											
 GLOW LIGHTING	<p>LED glow light button: The color below changes. NOTE: The glow color will remain the same until the power button is turned off. NOTE: this fireplace has a memory function for LED glow lighting.</p>	<p>Press once. LED glow lighting color effect changes. Press again until the desired setting is reached. A total of 10 colors for GLUT. Auto Cycle Function: Press 11 times, it will enter the LED glow light auto cycle (NOTE: It takes 1.5 seconds to change color).</p>																																					
 GLOW BRIGHT	<p>LED glow light brightness button: The LED glow light below changes. NOTICE: LED glow lighting brightness effect stays on until the power button is turned off.</p>	<p>Press once. LED glow lighting brightness effect changes. Press again until the desired setting is reached.</p>																																					

NOTE A slight odor may appear when the fireplace is first switched on. This is normal and should not occur again unless the fireplace is left unused for an extended period of time.

NOTE For optimal operation, point the remote control at the front of the fireplace. DO NOT press the keys too quickly. Give the device time to respond to each command.

- Remote control battery information
- the remote control uses CR2025 battery

 **NEVER dispose of batteries in a fire. Failure to observe this precaution may cause an explosion. Dispose of the batteries at your local hazardous waste disposal center.**

Care and Maintenance

cleaning



ALWAYS turn the fireplace stove OFF and unplug it before cleaning, changing the light bulb, or moving this heater. Failure to do so may result in fire, electric shock, or injury.



NEVER immerse or spray with water. This could result in electric shock, fire or injury.

Metal:

- • Polish with a soft cloth lightly dampened with a citrus oil based product.
- • DO NOT use brass polish or household cleaners as they will damage the metal.

Glass:

- • Use a glass cleaner and dry thoroughly with a paper towel or lint-free cloth.
- • NEVER use abrasive or cleaning products that may scratch the surface.

Air vents:

- • Remove dust and dirt from the heater and ventilation areas with a vacuum cleaner or feather duster.

Plastic:

- Wipe clean with a slightly damp cloth and a mild solution of dish soap and warm water.
- NEVER use abrasive or cleaning products that may scratch the surface.

maintenance



Electric shock hazard! DO NOT OPEN the main panels! Contains no user-serviceable parts!



ALWAYS turn the fireplace OFF and unplug the power cord from the outlet before cleaning or servicing this fireplace. Otherwise, electric shock, fire or injury may occur.

Electrical and moving parts:

- • The fan and motors are factory lubricated and require no additional oil.
- • With the exception of the lightbulb, all electrical parts and components are integral to the heater and are not user serviceable.

Storage:

- • Store the fireplace in a clean, dry place when not in use.



WARNING! The customer should NOT perform any MAINTENANCE on the internal or electrical parts. Do not carry out any maintenance work yourself.